



## OPERATING INSTRUCTIONS

### Pedal Rocker

Model 48R



Broda Seating

560 Bingemans Centre Drive, Kitchener, Ontario Canada N2B 3X9

Toll Free: 1-800-668-0637 Fax: 519-746-8616

[www.brodaseating.com](http://www.brodaseating.com) [www.seatingisbelieving.com](http://www.seatingisbelieving.com),

E-mail: [sales@brodaseating.com](mailto:sales@brodaseating.com)

Register your warranty online at [www.brodaseating.com](http://www.brodaseating.com)

Instructions for Use

Foreword	1
General Instructions	2
1.0 SAFETY INSTRUCTIONS	3
1.1 Before First Use	3
1.2 Application	3
1.3 Legal Restrictions	4
1.4 Position of Chair “Danger of Falling”	4
1.5 Position of Seat Tilt “Danger of Tipping”	4
1.6 Location of Chair “Danger of Tipping or Falling Objects”	4
1.7 Total Lock Wheel Brakes “Danger of Falling”	4
1.8 Re-Positioning of Resident “Danger of Clamping”	5
1.9 Unintended Movement “Danger of Falling or Collision”	5
1.10 Resident Clothing “Risk of Injury to Resident’s Skin”	5
1.11 Improper Restraint Use “Risk of Serious Injury”	5
1.12 Improper Use	6
1.13 Cleaning	6
1.14 Preventative Maintenance	6
1.15 Resident Specific Instructions	7
2.0 DEFINITIONS and TECHNICAL INFORMATION	7
2.1 Definitions	7
2.2 Technical Information	7
2.3 Shipping and Storage Specifications	8
2.4 Labels	9
3.0 CAREGIVER MANAGEMENT	10
4.0 OPERATION and MOVEMENT	11
4.1 Seat Tilt	11
4.2 Height Adjustable Arms	11
4.3 Rocking Function	12
4.4 Rocking Tension	12
4.5 Removable Wings	13
4.6 Adjustable Seat to Floor Height	13
4.7 Casters	14
4.8 Mag Wheels	14
4.9 Accessories (Options)	15
4.10 Tray	15
4.11 Thigh Belt	15
5.0 INSPECTION and FUNCTIONAL TESTING	16
5.1 Inspection	16
5.2 Functional Testing	16
6.0 RESIDENT SPECIFIC INSTRUCTIONS (Additions to Section 1)	17
7.0 REPAIR AND MAINTENANCE	18
7.1 Model 48R (Pedal Rocker) Schematic Drawing and Legend	18
7.2 Trouble Shooting for Cylinders	20
7.3 Cables and Handles	21
7.4 Vinyl Strapping	23
8.0 Warranty	25



## Foreword

Congratulations on your purchase of a BRODA chair and thank you for your confidence in our company and our products.

BRODA Seating has assumed a leadership position in providing the optimum in re-positioning functions and mobility for residents of long term care institutions. BRODA chairs do not look like traditional chairs and offer unique advantages found only with a BRODA. We are sure that after learning about BRODA, you will be convinced that your residents' quality of life will be greatly enhanced in BRODA chairs.

BRODA's products were designed to be recommended by Professional Caregivers for residents who require long term care. The maximum benefit to the resident using this chair will be achieved with the advice and assistance of their Caregivers.

This manual will assist you in making the best use of the functional capabilities of the BRODA chair and ensure that you will quickly become familiar with its use.

If you have any questions about the safe and effective operation of your BRODA chair or accessories after reading this manual, immediately contact your local BRODA representative or our Head Office Customer Service personnel for further assistance.

Head Office:  
BRODA Seating  
560 Bingemans Centre Drive  
Kitchener, Ontario Canada  
N2B 3X9

Phone: (519) 746-8080 Toll Free Can/US: 1-(800) 668-0637

Fax: (519) 746-8616

E-Mail: [sales@brodaseating.com](mailto:sales@brodaseating.com) Website: [www.brodaseating.com](http://www.brodaseating.com)  
[www.seatingisbelieving.com](http://www.seatingisbelieving.com)

## **General Instructions**

The instructions contained herein provide guidance on the safe and correct operation of a BRODA chair. Safety measures as described in Section 1 must be observed when operating the chair's functions or moving the chair. Only authorized caregivers should operate or move a chair.

**Every person that is involved with the operation and maintenance of the BRODA chair, including the resident's family members, must read this instruction manual prior to moving or operating the functions of this chair.**

A copy of this instruction manual must always be available to these people. No person, including the resident's family members, who is unfamiliar with or is unwilling or unable to adhere to the safety and operating instructions contained herein, should be permitted to operate or move the chair.

A BRODA chair is designed for use within a Nursing Home, Hospital, or other Long Term Care facility where the potential users benefit from the assistance and care of professional caregivers.

The safety and operating instructions that are included in this manual are very important to the safe and effective operation of the BRODA chair. The resident specific instructions in Section 6 (as determined by the resident's professional caregiver responsible for their seating, from a part of the safety requirements detailed in Section 1) must be followed at all times.

BRODA accepts no liability whatsoever for damage or disruption caused by operating errors, failure to provide proper maintenance, or the disregard of the instructions contained in this manual including the resident specific instructions.

BRODA reserves the right to make changes to the specifications of the dimensions, functions, and components of its products. Any textual or diagrammatic representations provided are not necessarily exactly the same as the delivered products and are not required to obtain spare parts.

Each BRODA chair is provided with a unique, identifying serial number. This serial number should be maintained on the chair and with your equipment records for future reference to obtain spare parts or additional copies of the operating instructions.

## 1.0 SAFETY REQUIREMENTS

This section must be read by all operators of the BRODA chair before they attempt to use the product. It is the resident's primary caregiver's responsibility to ensure that only people who are familiar with the information contained in this manual are authorized to operate or move the chair.

### 1.1 Before First Use

BRODA chairs are provided fully assembled and ready to use after purchaser inspection, functional testing, and training requirements have been met. If the chair does not appear to be in ready to use condition upon receipt, immediately contact your supplier and do not put the chair into service until after your concerns have been resolved.

**This manual must be read thoroughly by the caregiver(s) directly responsible for the resident's nursing care before the chair is put into service.**

The chair must be visually inspected for damage, missing parts, and loose fittings (fasteners) prior to first use or testing the chair's functions. Functional testing must be successfully completed after visual inspection and before first use. These obligations apply both to the first use of the chair and to all subsequent uses. (As described in Section 5, Inspection and Functional Testing)

An in-service on the operation and safety issues, as described in this manual, must be given to the resident's caregivers prior to its first use. (As described in Section 3.0, Caregiver Management)

**This manual must be read thoroughly by new caregivers, prior to the first time a new caregiver operates or moves the chair, after the chair has been put into service.**

A resident's family members, who share some of the responsibility for a resident's care, may be considered as a caregiver after they have read this manual, received instruction on the chair's safe use by a professional caregiver, and a caregiver directly responsible for the resident's care has given their approval.

### 1.2 Application

BRODA chairs are intended exclusively for residents of long term care institutions who are under the care of professional caregivers. **The Pedal Rocker is a mobility chair intended for individuals who require light to medium levels of care. The rocking motion, which can be locked out by caregivers, is intended for gentle rocking benefiting residents who are agitated by helping to calm and reduce wandering. The Pedal Rocker allows residents to self propel with their feet. With optional Mag Wheels residents can propel with their arms.** The suitability and application of a BRODA chair is to be determined by a professional caregiver who is familiar with the seating needs of the resident using the chair. Any other use of the chair is excluded from possible liability claims.

The weight capacity of the Broda Pedal Rocker is 250 lbs.

The Pedal Rocker is not to be used in the shower. Use in the shower may cause the frame or components to rust, and will void the warranty.

The chairs are not explosion resistant and may only be used where there are no flammable gases or liquids present such as anesthetics or petroleum based cleaners.

BRODA chairs are designed for use with specific BRODA accessories and spare parts. Any use of non-BRODA spare parts or accessories with a BRODA chair is excluded from possible liability claims. Any use of BRODA spare parts or accessories on a non-BRODA product is excluded from possible liability claims.

### **1.3 Legal Restrictions**

BRODA chairs may only be used as described in this manual and with proper regard for recognized health care and work place safety and accident prevention practices. BRODA chairs may not be operated or used with non-BRODA spare parts or accessories which could endanger residents, staff, or other third parties. The chair may only be moved or operated by caregivers or family members who can guarantee its correct operation because they have read and fully understood this manual and the safety issues discussed herein.

### **1.4 Position of Chair “Danger of Falling”**

Immediately after a resident is transferred into a chair, we recommend that the chair’s seat be tilted sufficiently to prevent the resident from sliding or falling forward off the chair. **The amount of seat tilt used should be determined by the resident’s caregiver who is responsible for seating.**

The seat to floor height on the Pedal Rocker is adjustable. The seat should be at the correct height as determined by the resident’s caregiver who is responsible for seating to ensure proper positioning and ease of safe foot propelling for residents who foot propel. Swing away or elevating swing away footrests may be used when determined appropriate by the resident’s primary caregiver who is responsible for seating.

### **1.5 Position of Seat Tilt “Danger of Tipping”**

We recommend that the chair’s seat be tilted sufficiently to prevent the resident from tipping the chair forward or backward, or from slumping and sliding in the chair. The amount of seat tilt used should be determined by the resident’s caregiver who is responsible for seating. Always ensure that the resident is properly positioned before operating the seat tilt.

### **1.6 Location of Chair “Danger of Tipping or Falling Objects”**

We recommend that when a resident has been moved to their destination, the chair is placed where the resident cannot reach handrails or other objects, fixed or movable. This is to prevent the resident from pulling the chair over or pulling themselves off the seating surface and to prevent the resident from pulling movable objects onto the chair and themselves.

We recommend that the chair be used in a supervised area to prevent untrained residents, caregivers, or third parties from unauthorized operation, movement, or unsafe actions such as sitting or leaning on the back, elevated footrests, or the armrests. These actions, if not prevented, put the chair at risk of tipping or damage to the chair.

We recommend that a chair only be located on a level surface to minimize the risk of tipping over.

### **1.7 Total Lock Wheel Brakes “Danger of Falling”**

The special casters found on the BRODA chair have total lock brakes which prevent the wheels from turning and swiveling. The brakes must always be applied when:

- 1) the chair is not in use;
- 2) a resident is being transferred (moved) into or out of the chair

It is important to note that if the wheel brakes are applied while the resident is in the chair, that the caregiver does not leave the resident unattended. This could cause harm to the resident if they attempt to move the chair while the wheel locks are applied. This may also cause harm to the wheels.

Note that removing and attaching the footrests and legrests may be easier for the caregiver with the brakes applied

Failure to follow these instructions will unnecessarily increase the risk of serious falls by residents, caregivers, or third parties caused by the chair unintentionally moving.

### **1.8 Re-Positioning of Resident “Danger of Clamping”**

The BRODA Pedal Rocker offers the benefits of seat tilt and rocking. During the movement of these functions, the following safety measures must be observed:

- 1) The resident’s arms must be positioned inside the chair frame with their hands on their body or on the armrests.
- 2) The resident’s feet must be correctly positioned on the floor or on the (optional footrests/legrests
- 3) Only one caregiver at a time attempts to operate the chair’s function.
- 4) The residents’ and caregivers’ body are clear of all pinch points before operating the chair’s functions.

Failure to follow these safety measures can put the residents’ or caregivers’ limbs at risk of injury. Residents who may be unaware of their body position or unable to maintain a safe body position are at the most risk of the danger from clamping and caregivers should be more cautious with these residents. A second caregiver may be required to ensure the safety of these residents during operations.

### **1.9 Unintended Movement “Danger of Falling or Collision”**

We recommend BRODA chairs for indoor use within a long term care institution and where there is not enough slope to cause the chairs to move unaided. Chairs used where the surface is uneven or sloped are at risk of unintended movement and could become a serious danger to the resident, caregiver(s), or a third party. We recommend that BRODA chairs are located away from stairwells, elevators, and exterior doorways within a long term care institution.

Outdoor use is appropriate only under the strict supervision and full attention of a caregiver who is physically capable of preventing any unintended movement over any surfaces that are to be traveled on. We recommend that a second caregiver assist when the chair is moved over surfaces that could cause significant unintended movement.

### **1.10 Resident Clothing “Risk of Injury to Resident’s Skin”**

We recommend that residents only be seated while they are fully dressed in clothing that meets the needs of their specific condition. If after being fully dressed, a resident’s bare arms, legs, or body could still come into direct contact with the vinyl straps or vinyl pads, we recommend the use of a covering, such the BRODA terry cloth covered seat and/or back pad or a folded cloth bed sheet to prevent direct contact. Direct contact of bare skin on the straps over a period of time could cause moisture on the resident, and/or cause the skin to stick to the straps. Prior to the operation or movement of a chair with a covering, the caregiver must ensure any covering placed on the chair does not come into contact with any moving parts and is securely placed, so not to slip.

### **1.11 Improper Restraint Use “Risk of Serious Injury”**

We recommend that alternatives to physical restraints be used with residents while seated in the chair except under the specific instructions of the resident’s primary caregiver and with permission of the resident’s family or guardian. Physical restraints have been identified as a common cause of serious injury to residents while they are seated. We

recommend that the primary caregiver responsible for seating first consider the re-positioning options available in the chair to reduce the risks of sliding, falling, or self-injury.

If a physical restraint is determined to be appropriate to prevent sliding or falling out of the chair, we recommend that the BRODA thigh belt be used. In all cases, it is the resident's primary caregiver that must take responsibility for the safety of the resident if restraints are used.

### **1.12 Improper Use**

The improper use of the chair can be dangerous to the resident, caregivers, or third parties through:

- 1) Unauthorized operation of the chair's functions.
- 2) Unauthorized movement of the chair.
- 3) Inappropriate use of the chair for a resident who has not been assessed by the caregiver responsible for their seating.
- 4) Failure to reposition the resident frequently in the chair
- 5) Attempted simultaneous operation of multiple chair functions by one or more caregivers.
- 6) Attempting to move the chair with the brake(s) applied.
- 7) Leaving the resident unattended in the chair near other objects.
- 8) Leaving a potentially agitated resident in an unsupervised area.
- 9) Leaving a resident unattended for a period of time
- 10) Leaving a resident in a chair on a sloping surface.
- 11) Leaving a chair unattended on a sloping surface.
- 12) Using non-BRODA accessories on the chair.
- 13) Using the BRODA chair at temperatures below 0 Celsius (32 Fahrenheit)
- 14) Using the BRODA chair as a shower or bathing chair.
- 15) Using the BRODA chair for any use other than its intended application

### **1.13 Cleaning**

BRODA chairs should be wiped clean with soap and water. A dilute (four parts water, 1 part bleach) household strength ammonia or chlorine based cleaner, as well as a hospital grade cleaner may be used if necessary. BRODA chairs should not be cleaned with petroleum based cleaners. Any petroleum based products that come in contact with any vinyl surface should be removed as quickly as possible. Petroleum based products make vinyl brittle and will damage the seating surface and cushions. Metal parts and cushions should be wiped completely dry after cleaning. Terry cloth seat and back covers may be laundered and tumble dried. Do not launder vinyl padding.

Do not allow the chair to air dry. Leaving the chair to air dry and not ensuring the chair is completely dry may cause the frame and components to rust. Solvents such as those found in spray lubricants should not be used on BRODA Chairs as they can damage moving parts

BRODA will not accept warranty claims on chairs that have not been cleaned according to the instructions.

Touch up paint is available for the powder coated frame. Please call Broda's Customer Service Department if touch up paint is required. Do not leave BRODA chairs outdoors as the frame is not UV protected. Leaving the chairs outdoors could cause the paint to peel.

### **1.14 Preventative Maintenance**

The maintenance on a BRODA chair will vary with the amount of use and the condition of the resident using the chair. We recommend regular visual inspection for signs of wear, damage, loose or missing fittings, and other safety concerns. Also, periodic testing of the chairs functions is appropriate. If a breakage, defect, or operational problem is detected, the chair must be repaired, inspected and tested for function before it is returned to service. In regular use, after the initial inspection and functional testing, the chair should be inspected and tested on a bimonthly basis. The chair should be inspected and tested as often as each use if the chair is used:

- 1) On irregular or sloped surfaces.
- 2) By residents weighing over 220 lbs
- 3) By any unauthorized person.

Do not use any lubricants that contain solvents. Solvents will damage many of the moving components in the chair. If necessary a white, food grade grease (lubricant) may be used on the sliding components in the chair.

### **1.15 Resident Specific Instructions**

The professional caregiver responsible for the resident's seating shall add such additional instructions as are necessary for the safety and comfort of the resident using the chair based on their professional experience and knowledge of the resident's specific conditions and requirements. These instructions form a part of the Safety Requirements for using the chair with that resident and must be made available to all caregivers. (see Section 6.0)

## **2.0 DEFINITIONS and TECHNICAL INFORMATION**

### **2.1 Definitions**

"BRODA" means Broda Enterprises Inc. doing business as Broda Seating. BRODA "chair" refers to the Pedal Rocker, Model 48R.

"Long Term Care Institution" refers to a Nursing Home, Hospital, or other Health Care facility that provides health and personal care to its residents on a long term basis.

"Resident" refers to an individual living in a Long Term Care Institution under the care of Professional Caregivers.

"Professional Caregiver" refers to the Doctors, Nurses, Therapists, Nurses Aids, Health Care Aids, and other Specialists who work in a Long Term Care Institution and provide health and personal care to its residents.

"Caregiver" refers to any person in a Long Term Care Institution who is appropriately trained to provide care or services to the resident or the chair used by the resident and may include the resident's family members or guardian.

"Seat Tilt" refers to changing the angle of the chair's seat with respect to the chair frame (or ground) without changing the angle between the back and the seat.

"Legrest Elevation" refers to changing the angle between the chair's legrest and the chair's seat.

"Transfer(s)" refers to the movement of a resident into or out of a chair with the assistance of their caregiver(s).

"Mechanical Transfer(s)" refers to the movement of a resident into or out of a chair with the assistance of their caregiver(s) using a patient lift or other assistive device that bears the weight of the resident.

"Safety Requirements" are the important information contained in Section 1 which must be followed to ensure the safe operation of the chair for the resident, caregivers, and third parties.

### **2.2 Technical Information**

#### Dimensions Based on 20 inch Pedal Rocker

Overall dimensions of the Pedal Rocker Model 48R are:  
28" wide (with standard 4, 5" casters) by approximately 30" long. The seat width is 20" measured between the inside of the arms. The seat depth is 17". The seat height is adjustable in one inch increments between 14" to 19". The standard seat height is set at 15" The back length is 32 inches. The back width is 20 inches measured between the wings .All dimensions are plus/minus 0.5 inch.

#### Chair Frame

The frame is all steel construction and is powder-coated for durability and corrosion resistance.

## BRODA Pedal Rocker

Adjustments to the seat tilt are supported by a mechanical locking device designed to permit controlled movement during the operation of these functions. (See Section 4, Operation and Movement). No motors or other powered devices are used in the chair.

### Casters

The casters are 5 inch total lock casters on the front and 5 inch fixed locking on the rear, with non-marking grey rubber tires. The casters require minimal maintenance. Lubrication or maintenance may be required in extreme conditions such as steam cleaning, pressure washing or autoclaving.

### Arms and Wings

The Pedal Rocker arms are height adjustable to provide the correct armrest height for the resident's forearms. Removable wings provide upper body lateral support. Adjustable shoulder bolsters that attach to the wings accommodate variances in resident shoulder heights.

### Cushions

Standard cushions include: a Neckrest Cushion and Lower Side Pads. Upgraded padding package cushions include Neckrest Cushion, Lower Side Pads, Sholdter Bolsters, Seat and Back Pad with removable Terri Covers or optional Vinyl Covers.. The 34 ounce healthcare vinyl fabric covering is manufactured to meet the following requirements: DIN 75 200/ DIN 53 438; MVSS 302, M2;CAL 117, and Wyzenbeck Heavy Duty Abrasion Test. Removable seat and back pads are covered with an 8 ounce soft vinyl which meets CAN2-162. Pre-shrunk fitted cotton terri covers are provided for the seat and back pads

## **2.3 Shipping and Storage Specifications**

BRODA chairs should be shipped and stored in an upright condition and not stacked higher than 3 boxes. No other materials should be shipped or stored on top of a BRODA box. BRODA boxes should not be placed on pallets.

BRODA chairs should be shipped and stored at temperatures between minus 20 degrees Celsius and plus 40 degrees Celsius. BRODA chairs should not be used until they are between 0 degrees Celsius and 30 degrees Celsius. BRODA chairs should be kept in a clean, dry environment.

Upon receipt, we recommend that the shipping carton be immediately examined for damage. Any damage should be noted on the delivery receipt and a request for inspection by the transportation company should be made. The shipping carton should be opened immediately and the chair examined for concealed shipping damage. If the chair appears to be damaged, a concealed damage report should be immediately filed with the transportation company.

## 2.4 Labels

BRODA uses certain labels to assist caregivers to identify items which permit the operation of the Pedal chair's functions.

Tilt Label (Tan)



Serial Number Label (Gray)



Manufacturer's Label



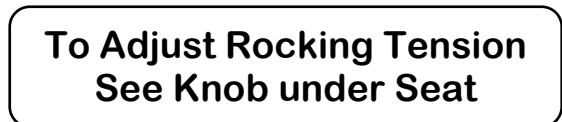
Rocking Function Label



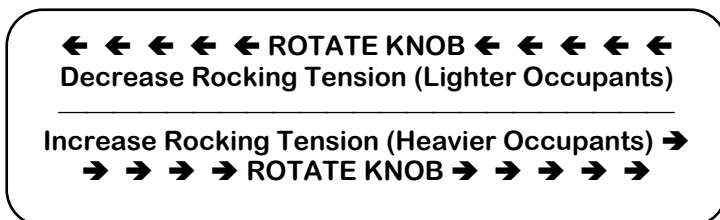
Tilt and Rocking Label



Rocking Adjustment Notification Label



Rocking Adjustment Label



### **3.0 CAREGIVER MANAGEMENT**

BRODA Seating's unique and innovative chairs provide the optimum in re-positioning functions and mobility. BRODA's products were designed to be recommended by professional caregivers. The maximum benefit to the resident using this chair will be achieved with the advice and assistance of their caregivers.

The professional caregiver responsible for the resident's seating will add any additional resident specific instructions required for the safe and correct operation of the chair with a specific resident to Section 6.0 at the end of this manual. These additional resident specific instructions shall be considered as important additions to the Safety Requirements in Section 1

At the customer's request, the initial basic training of the resident's caregiver(s) in the operation of the chair will be provided by the local BRODA representative who supplies the chair. The caregiver(s) must adhere to the Safety Requirements at all times to ensure the safety of the resident, caregivers, and third parties.

The customer will maintain a list of caregivers who have read this manual and are authorized by them to operate and move the chair.

BRODA assumes no liability for damage, injury or accidents caused by careless, negligent, incorrect, or unauthorized operation or movement of its chairs.

## 4.0 OPERATION and MOVEMENT

Safety measures as described in Section 1 must be observed when operating the chair's functions or moving the chair. Only authorized caregivers should attempt to operate or move a chair. The caregiver must use proper body mechanics when operating the chair, and be prepared to support the weight of the resident while operating the chair.

### 4.1 Seat Tilt

The seat can be tilted to any position from the most upright to the lowest within its range. This assists the caregiver in changing a resident's body position to minimize slumping, falling or sliding forward. The tilt can also increase the stability of the chair to minimize the risk of tipping over and to improve the resident's comfort. The Pedal Rocker has up to 18° of infinite tilt in space. (Tilt angle of 33° when combined with rocking activation) The infinitely adjustable 18° of seat tilt is designed to allow for foot propulsion while tilted.

To Activate the Seat Tilt:

- Ensure rocking function is deactivated for ease of tilting. (See page 12 for rocking instructions)
- Locate the tilt handle on the rear of the chair (**figure 1.0**)
- Place right hand on top bar to assist movement and squeeze tilt handle with left hand (**figure 1.1**)
- Raise or lower seat tilt until desired angle is achieved.
- Release the handle once the seat is in the desired position

Note: The ease of changing seat tilt may be affected by the weight of the person in the chair, or if the chair is unoccupied.

Note: The tilt and the rocking function can be used together to achieve a deeper seat tilt, however we recommend tilting first before rocking for ease of operation.

### 4.2 Height Adjustable Armrests

The armrest height can easily be adjusted in order to accommodate various residents. The arms are adjustable in 5/8" increments and have a height range of approximately 6".

- Lift up the flap on the outside panel exposing the armrest height adjustment pins (**figure 1.2**)
- Squeeze the two pins together. **DO NOT** place fingers at the top of the pins, as this could cause pinching. Place fingers in the concave shape of the pins (**figure 1.3**)

Standard Position



Tilted Position



Figure 1.0

Tilt Handle



Figure 1.1



Figure 1.2



Figure 1.3

## BRODA Pedal Rocker

- Raise or lower the arm to the desired height. **DO NOT** place fingers anywhere underneath the arm while adjusting, as this can cause pinching. Upon releasing the pins, armrest height will lock into place. (figure 1.4)
- Secure the outside flap on the side panel



Figure 1.4 Armrest at raised position

### 4.3 Rocking Function

The Pedal Rocker has a rocking function that helps to calm agitated residents. The rocking function has a lock that is activated or deactivated by the caregiver. The rocking can be used independently or in conjunction with tilt. When combined with the full tilt function, it creates a deep seat tilt position of 33°.

To activate rocking:

- Ensure seat tilt is in upright or slightly tilted position. (See page 11 for seat tilt instructions)
- Locate the rocking handle on the rear of the chair on the left side. (figure 1.5)



Figure 1.5 Rocking handle

- Squeeze and lock the handle by securing it to the frame. This will activate rocking function. (figure 1.6)

To deactivate rocking:

- Pull rocking handle to release/unlock from frame. Ensure seat is returned to its full upright position ensure rocking has been deactivated.. (figure 1.7)



Figure 1.6 Rocking activated



Figure 1.7 Rocking deactivated

### 4.4 Rocking Tension

The rocking tension can be adjusted to accommodate residents of various weights. For ease of rocking, the rocking tension should be decreased for lighter occupants and increased for heavier occupants. For residents with rigid movements, the rocking tension may need to be increased accordingly to their rocking force.

To adjust rocking tension:

- Locate the rocking mechanism (knob) under the front of the seat (figure 1.8)



Figure 1.8 Rocking mechanism

- To decrease the rocking tension, (lighter residents) rotate the knob clockwise several times (from view of facing downward on top of the seat) until desired tension is achieved.(figure 1.9) (See instruction label on knob)

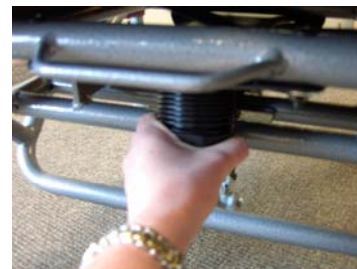


Figure 1.9 Rocking Tension Adjustment

- To increase the rocking tension (heavier occupants) rotate the knob counter clockwise several times (from view of facing downward on top of seat) until desired tension is achieved. (figure 1.9) (See instruction label on knob)

#### 4.5 Removable Wings

Wings support the shoulder bolsters which provide upper body lateral support to the resident.

##### To Remove the Wings

-Using your thumb, depress the top button found beside the wing on the chair back (**figure 1.10**)

-While depressing the button, pull the top of the wing frame from the receptacle. The wing may now be moved out of the way without its full removal. (**figure 1.11**)

-To completely remove the wing, depress the button on the lower portion of the wing frame and remove from the receptacle

##### To Replace the Wing Frame

- Insert the lower end of the wing into the lower receptacle first. Then insert the upper end into the upper receptacle, making sure the wing locks into place. (**figure 1.11**)



**Figure 1.10**



**Figure 1.11**

#### 4.6 Adjustable Seat to Floor Height

The seat to floor height on the Pedal Rocker is adjustable. The seat should be at the correct height as determined by the resident's caregiver who is responsible for seating to ensure proper positioning and ease of safe foot propelling for residents who foot propel. The Pedal Rocker seat height is adjustable between 14" – 19" in one inch increments. This gives the Pedal Rocker the flexibility to properly seat both short and tall residents.

To find the proper "foot on floor" seat height position, the seat height should be adjusted to match the length of the resident's lower leg. With the knee bent at a 90° angle, measure the distance from the point where the upper leg intersects the lower leg above the calf. There should not be excessive pressure from the thigh on the front strap of the chair. Nor should the front portion of the thigh be completely off the front strap as this puts excessive pressure on the knee and the ischial tuberosities.

##### To adjust the seat height

- Locate the seat height adjustment bolts on either side of the front of the chair frame (**figure 1.12**)

-Using 7/16 wrenches, remove the bolts

-Raise or lower the front of the seat to correspond with the holes at the desired seat height

- Insert the bolts through the desired corresponding holes and tighten the bolts

Changing the seat height on the Pedal Chair may affect the range of seat tilt as only the front of the seat is being raised. If desired, a PAB Length Adjustment Bar may be used on the tilt cylinder to maintain the original range of tilt



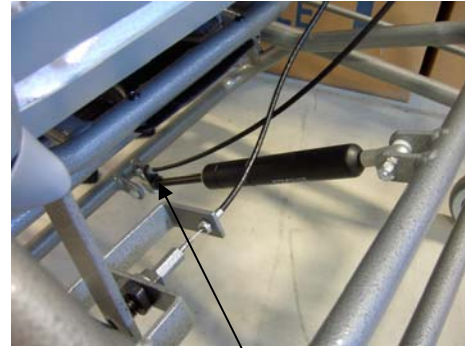
**Figure 1.12**

Seat height adjustments

**To attach the PAB Length Adjustment Bar**

- Use ½” wrenches to remove the bolts from the bottom of the cylinder (**figure 1.13**) **Make sure the back is supported when removing the bolts in order to prevent it from falling**
- Insert the PAB Length Adjustment Bar onto the cylinder at the position for desired cylinder length.
- Insert the first bolt through the holes in the PAB to attach to the cylinder
- Insert the second bolt through holes of the PAB to attach to the frame where the cylinder was originally attached.

**Note:** Do not adjust seat tilt range while chair is occupied



**Figure 1.13**

Bottom of cylinder



PAB Length Adjustment Bar

**4.7 Casters**

The Pedal Rocker has 2 front 5” swivel casters and 2 rear 5” fixed casters.

- Step down on the pedal to lock the casters into place (**figure 1.14**)
- Step on top of the pedal to unlock the caster (**figure 1.15**)



**Figure 1.14**



**Figure 1.15**

**4.8 Mag Wheels (Optional)**

Broda uses a standard 20” solid (non pneumatic) wheelchair (mag) wheel as an option on the Pedal Rocker.

The mag wheel option includes hand rims, anti tip casters and wheel locks, and can be front or rear mounted

**To Operate Mag Wheels**

- Locate the wheel lock at the front of each mag wheel.
- To lock, pull the wheel lock toward the front of the chair
- To unlock, push the wheel lock toward the rear of the chair



Wheel lock in unlocked position. (Pull toward front of chair to lock)

## 4.9 Accessories (Options)

We recommend BRODA accessories for use only on BRODA chairs. The correct installation of BRODA accessories is very important. We recommend that the BRODA chair is ordered with the required accessories already installed. Only authorized caregivers who thoroughly understand the accessory installation procedures should attempt to install their BRODA accessories without assistance from their local BRODA representative. BRODA does not recommend use of other manufacturer's accessories on BRODA chairs.

### 4.10 BRODA Tray



Grey Tray



Clear Tray

The optional BRODA tray is specially designed to work with your BRODA chair. The tray securely slides over the arms of the chair to provide a level surface for meals or activities. A BRODA strap may be used to prevent the resident from accidentally pushing the tray off the chair. The strap should be buckled together behind the chair back below the armrests and as close to the level of the chair seat as possible. A tray strap with a side buckle is also available to meet non-restraint policies.

**The clear tray is excellent for residents who foot propel, as it allows the resident to see his/her feet.**

**Note: The BRODA tray is not to be used as a restraint. Using the tray as a restraint may cause harm to the resident, caregiver or third party.**

**Note: When inserting the tray onto the chair, ensure that the residents' and caregivers' body are clear from all pinch points to allow safe insertion of tray.**

### 4.11 BRODA Thigh Belt

The optional BRODA Thigh Belt is a one piece positioning device used for pelvic positioning. It leaves the hips and upper torso completely unrestrained. There is no danger of the resident sliding under the belt as with standard lap belts. The Thigh Belt may only be used if recommended by the resident's primary caregiver and the resident's family or guardian gives permission.

#### To attach the Thigh Belt:

- Locate the front cross piece attached to the seat frame (under the strapping) (**figure 1.16**)
- Starting from under the chair seat, pass one end of the thigh belt between the second and third strap from the front of the seat (**figure 1.17**)
- Pass the other end of the Thigh Belt through the same spot in the chair seat. Ensure that the center strap of the Thigh Belt is looped around the front cross piece attached to the seat frame (**figure 1.17**)

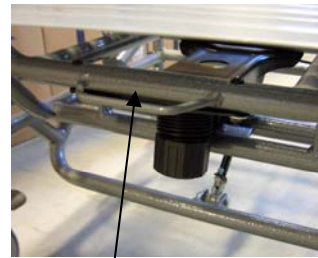


Figure 1.16



Figure 1.17



Figure 1.18

-One padded section of the Thigh Belt passes over each thigh. Connect the snap buckles behind the chair. Do not fasten around the cylinder or cable behind the chair. Tighten the straps as necessary (**figure 1.18**)

Any excess belt material should be tightened sufficiently to prevent unwanted movement of the belt but with caution to ensure resident's comfort is not compromised. Excess belt material may also be tucked away, so as to not get pulled. If the caregiver is unsure about the correct installation or operation of the BRODA Thigh Belt, the caregiver should contact their local BRODA representative for assistance before using this accessory.

## **5.0 INSPECTION and FUNCTIONAL TESTING**

Safety measures as described in Section 1 must be observed when inspecting or testing a chair. Only authorized caregivers or maintenance staff should attempt to inspect or test a chair.

### **5.1 Inspection**

We recommend regular visual inspection for signs of wear, damage, loose or missing fittings, and other safety concerns. If a breakage, defect, or operational problem is detected, the chair must be repaired inspected and tested for function before it is returned to service.

We recommend that the chair be inspected as often as each use if there is any reason to be concerned about the possibility of increased wear or loose or missing fittings. **At a minimum, in regular use the chair should be inspected on a bimonthly basis.**

The visual inspection procedure should include at least the observation of the following parts:

- 1) The cylinder that positions the seat tilt
- 2) The vinyl straps used in the seat, back and wings
- 3) The cushions
- 4) The black handles and cable
- 5) All fittings and/or fasteners
- 6) The rocking tension adjustment knob (underneath front of seat)
- 7) The indexing spring plunger (near rear of seat)

We recommend the visual inspection procedure should include the observation of any installed accessories as described in Section 4.9).

### **5.2 Functional Testing**

**We recommend that the chair should be tested for operation of the chair's functions without a resident in the chair.** The testing may be as often as each use if there is any reason to be concerned about the possibility of increased wear or damage to the chair's components. At a minimum, in regular use the chair should be tested for functions as described in Sections 4.1 to 4.8.

If the caregiver or maintenance department performing the functional testing believes that any function is not operating correctly, the chair should be taken out of service until a satisfactory functional test can be completed.

**The caregiver or maintenance department performing the testing should be aware that the seat tilt and the rocking function will be more difficult without a resident in the chair.**

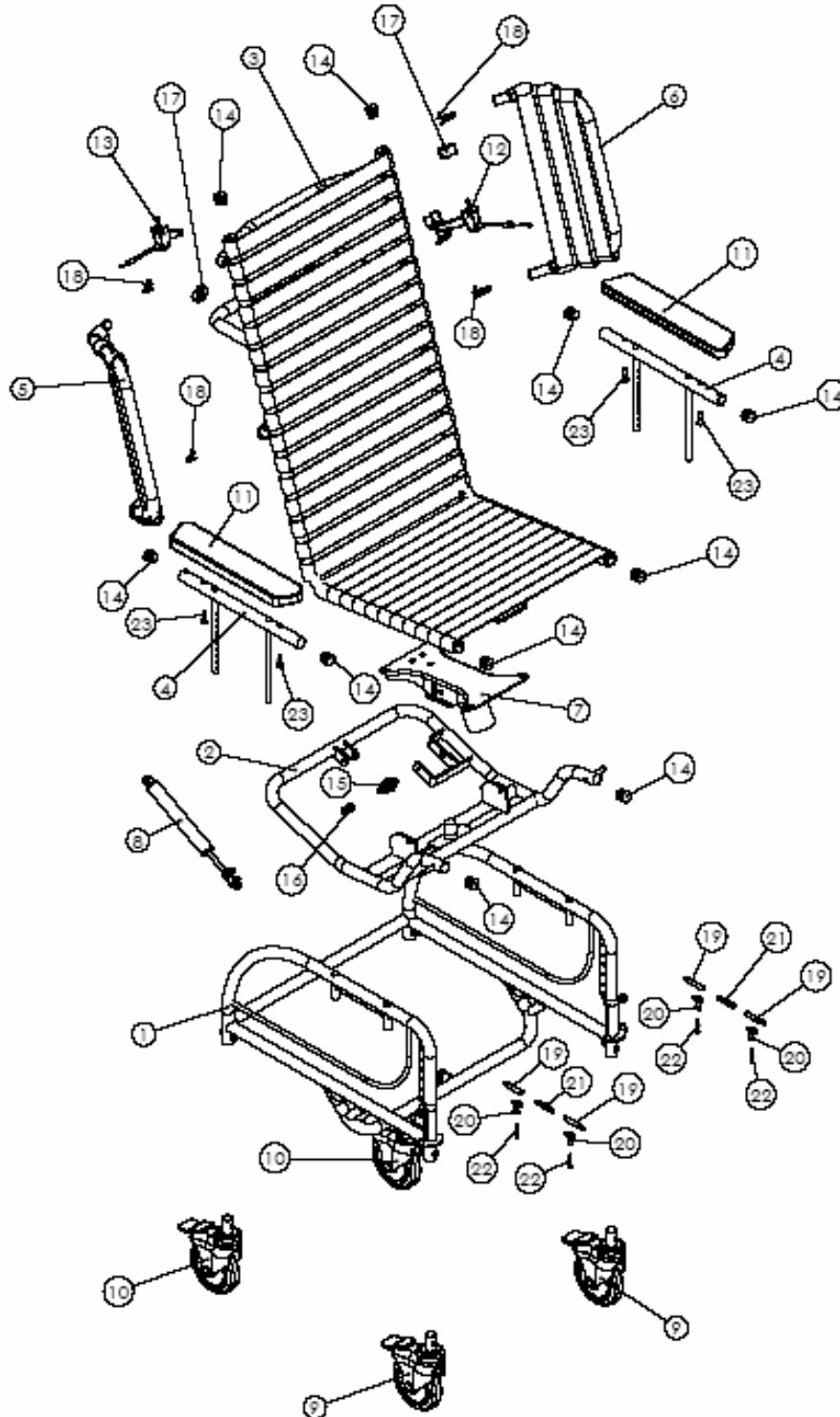
When performing repairs or maintenance, do not use lubricants that contain solvents. Solvents will damage many of the moving components in the chair. If necessary, a white, food grade grease (lubricant) may be used on the sliding components in the chair. Do not use spray lubricants on any part of the chair.



## 7.0 REPAIR AND MAINTENANCE

Please have the chair serial number ready when contacting Broda or your local area representative for parts or assistance for your chair. The serial number can be found on a grey sticker on the rear of the chair.

### 7.1 Model 48R Pedal Rocker Schematic Drawing



**Broda 48R Pedal Rocker Schematic Legend**

<b>#</b>	<b>Description</b>	<b>Quantity</b>	<b>Part Number</b>
1	Frm Base XX" Pedal Rock	1	20X10X003
2	Frm Sub Tilt XX" Pedal Rock	1	20X20X010
3	Frm Seat XX" Pedal Rock	1	20X20X011
4	Frm arm top adj MID/PD GR	2	200501300
5	Frm lateral support right	1	200201200
6	Frm lateral support left	1	200001100
7	Adj Rocking Mech	1	430150000
8	Cyl gas Spring Pab 13 600N	1	430202008
9	Whe caster 5" total lock	2	430101000
10	Whe caster 5" rigid brake	2	430103000
11	Arm A-3 Armrest	2	430402000
12	Kit Cable 48" Plung Long Hand	1	500600102
13	Kit Cable & Handle Assembly 48"	1	500600100
14	Plug rnd 1" 16-18ga inside ribbed	10	410003030
15	Indexing Plunger	1	430008310
16	Coupling 8mm to 10-24" Thread	1	430116000
17	Bushing arm sleeve	2	430114000
18	Spring for armbottoms/wings	4	430122000
19	Bmp Arm Adj. Pin, Zinc	4	430401401
20	Bmp Arm Adj. Pin Handle, Zinc	4	430401501
21	Spring 3" for Adj. Arm	2	430124000
22	Screw 8/32x1/4 fillister socket 23 zinc	4	412113500
23	Screw 1/4-20x1-1/4 pan quad, zinc	4	412133001

## 7.2 Trouble Shooting for Cylinders

### Gas Cylinders

The use of gas charged springs on the Broda Pedal Chairs allow the caregiver to easily make adjustments to the tilt, with a minimum amount of effort. The gas cylinders contain Nitrogen gas, it is not flammable nor is it toxic. The cylinders provide a lifting force of 300 Newtons (approx. 68 Lbs). In other words the cylinders reduce the amount of weight the caregiver has to lift by 68 Lbs.

#### How do they work?

On the end of the stem of the cylinder is a small pin. When the operator depresses the handle, this pulls on the cable which in turn pulls on a small lever inside the actuator mechanism into which the stem of the cylinder is mounted. This depresses the pin, which in turn opens a valve located inside the barrel of the cylinder. This allows for changes in position. When the operator releases the handle the valve closes and locks the cylinder in the desired position.

Over the years, Broda has used many different types of actuators to operate the gas cylinders used on our products. Although they may look different their function is one and the same (to push against the pin and open the valve that controls the cylinder). If the cylinder is not properly adjusted when mounted in the actuator, the cylinder may not function properly.

#### Maintenance

The gas cylinders do not require any maintenance, although they may need to be adjusted due to wide temperature variations or cable stretch.

When adjusting the cylinder it is important that you do not damage the stem on the cylinder. Small scratches left by applying the jaws of pliers or Vice Grips directly to the shaft while making adjustments will destroy the seal and allow the gas inside the cylinder to escape. Use a piece of vinyl strapping or rubber to protect the cylinder shaft from the jaws of the tool you are using to make the adjustments.

#### Trouble shooting:

**Often when experiencing problems with cylinders on Broda chairs, the cylinder is not damaged, it just needs adjustment. There are two common adjustments.**

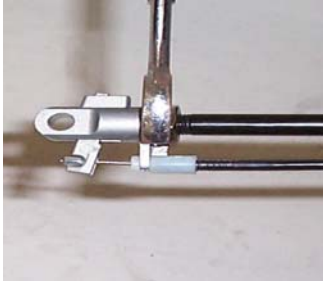
- 1. The pin that the cable handle pulls on at the end of the cylinder is not connected correctly.**
- 2. Or the handle or cable assembly have become broken or disconnected.**

**The cable mechanism works exactly like a bicycle brake and is easy to check when experiencing problems.**

**Other solutions to common problems are listed below.**

- 1. Chair is not reclining or tilting when cylinder handle is pulled.**
  - a. The pin in the end of the cylinder is not being depressed when the handle is pulled.  
*Action to take:* See adjustment steps
- 2. The chair seems to slowly slide out of position**
  - a. The pin in the end of the cylinder may be still partially depressed.  
*Action to take:* See adjustment steps.

## Adjustment Steps



**Note:** Cylinder does not need to be removed from the chair to make this adjustment.

1. Loosen the lock nut located on the stem of the gas cylinder next to the actuator (17mm or 11/16" wrench).
2. From the above instruction determine whether you want to wind the stem further into the actuator or further out of the actuator. **You will need to wind the stem further into the actuator if the chair is not tilting, (wind it clockwise) and wind it further out of the actuator if the chair is slowly sliding out of position. (wind it counter-clockwise)**



**Note:** When adjusting cylinders with tools that come in contact with the cylinder rods. A cloth, piece of vinyl strap, or some other protective material must be used to protect the sliding surface of the rod. If the rod becomes scratched or scarred it will puncture the seal on the cylinder and the cylinder will fail.

**Damaging a cylinder in this fashion voids the manufacturer's warranty.**

3. Wind the stem in the correct direction one half turn. When viewing the cylinder with stem pointing towards you turn the stem clockwise to wind the stem out of the actuator and counter-clockwise to wind the stem into the actuator.
4. Check the function of the cylinder and repeat steps 3 & 4 until the cylinder functions properly.
5. Tighten the lock nut loosened in step 1.

If adjusting the cylinder does not correct the problem, the cylinder may need to be replaced. Please contact Broda at 1-800-668-0637 or your local area representative.

## 7.3 Cables and Handles

### Maintenance

The cables and handles do not require any maintenance.

### Removal and Installation

The cable is used in conjunction with a cable handle and an actuator to control the function of the gas cylinder. The cable and handle are one unit. On the actuator end the cable hooks into the lever that depresses the control pin on the cylinder and the cable housing either clips into the actuator housing or is held in place by a cable tie.

## BRODA Pedal Rocker

### Steps:



1. Unclip the cable from the actuator.



2. Cut the cable ties that secure the cable to the frame of the chair (carefully note the location of the cable ties and how the cable is threaded around the frame of the chair.)



3. Remove the mounting screw



4. Remount the new handle assembly to the frame of the chair using the screw removed in step 3.



5. Thread the new cable around the frame of the chair the same as the old one and install new cable ties where necessary.



6. Hook the end of the cable into the lever in the actuator and clip the cable housing into the actuator housing.



7. Install a new cable tie around the end of the cable housing and the actuator, if the chair was originally equipped with one.

Note: This procedure may vary on earlier models.

## 7.4 Vinyl Strapping

### Maintenance

The only maintenance required for the vinyl straps is general cleaning with ammonia or chlorine based cleaners (Do not use petroleum based cleaners).

### Installation/Replacement Instructions

The vinyl strapping has both elasticity and memory retention this allows each strap to conform to the resident as an independent unit. Occasionally a strap may lose memory or be cut. This makes it necessary to replace them. These straps are installed under tension this is done by heating the straps so that they are soft and pliable and this enables them to be easily stretched during installation. They are held in place by riveting them to the steel frame of the chair and then wrapping them around the frame over the top of the rivet. This is done the same for both ends of the strap.

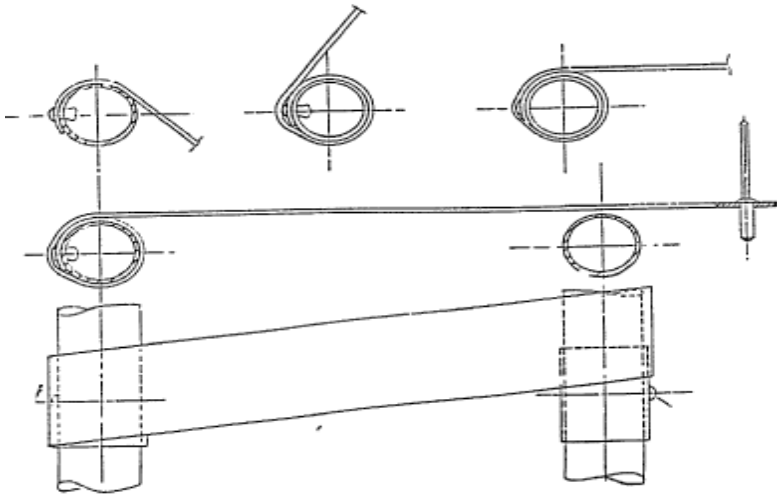
**Steps: (see following page for illustration)**

- 1) Remove the old strap by cutting it in two and drilling out the rivets with a 3/16" drill bit.
- 2) Heat the strap either by placing it in a pot of boiling water for a couple of minutes or by laying it out and heating it with a heat gun.
- 3) Rivet one end of the strap with a 3/16" diameter 3/8" long rivet, through the precut hole in the end of the strap to the frame with the crowned side of the strap up (shiny side).
- 4) Wrap the strap around the frame, over the top of the rivet.
- 5) Stretch the strap and wrap it around the other side of the frame next the rivet hole (do not cover the rivet hole with the strap).
- 6) Rivet the other end of the strap, through the precut hole in the end of the strap to the frame.
- 7) Stretch the strap and move the offset strap over to cover the rivet.

BRODA Pedal Rocker

Note: If the strap cools off during the installation you can reheat it with a heat gun.

**Vinyl Strap Installation:**



**8.0 Register your warranty online at [www.brodaseating.com](http://www.brodaseating.com)**

**BRODA Seating  
GENERAL INFORMATION  
WARRANTY**

BRODA provides a Three Year Warranty on the chair frame, and a One Year Warranty on all other components subject to the following conditions:

No warranty is provided on seat pads or cloth covers.

The chair frames are guaranteed for three years against structural defects or failure. All other parts (except seat pads and cloth covers) including but not limited to strapping, cushions, gas springs and attachments, casters, wheels, brakes and armrests are guaranteed for one year against defects in materials and workmanship based on normal institutional use. The guarantee does not cover malicious or deliberate damage or damage from misuse.

Modifications to Broda products or the use of non-Broda supplied parts voids the warranty. This warranty does not cover shipping damage (see below).

BRODA will provide new or refurbished parts for installation by the owner at no cost following confirmation by the local BRODA Representative or the BRODA Head Office Customer Service Representative. On request, defective parts must be returned to the factory within thirty days of receipt of the replacement parts by the owner. If the defective parts are not returned to BRODA on request, the owner will bear the cost of the replacement parts on invoice from BRODA.

Warranty does not include on-site labor for the installation of warranty parts or warranty repairs. The owner may return to BRODA products for warranty replacement or repair by shipping items prepaid and insured to the factory. Warranty completed at the factory includes both materials and labor. Parts to be repaired or replaced at the discretion of BRODA. All returns to the factory require prior authorization from BRODA.

BRODA retains the right to make design and application changes without notice. All orders will be filled with BRODA's current models unless otherwise specified by the purchaser.

BRODA chairs are designed for patient mobility, positioning, and comfort in specialty seating, however, the application of BRODA products shall remain the responsibility of the purchaser or user.

This warranty is not transferable.

**RETURNS**

BRODA Seating will not accept any returns without a prior **Returned Goods Authorization Number**. Please contact our Head Office Customer Service Representative at 1-800-668-0637 for assistance. Returns must be insured when shipped.

**DAMAGED FREIGHT**

**NOTIFY THE CARRIER OF ANY DAMAGE IMMEDIATELY**

It is the responsibility of the person receiving the goods to examine cartons and goods before accepting receipt. Note all damages on the bill of lading and file a claim if necessary. Notify the carrier of any concealed damaged within a maximum of 48 hours.

BRODA insures all products for intransit damage, failure to notify the carrier of intransit damage voids both the insurance and the BRODA warranty. If you require assistance, please contact our Head Office at 1-800-668-0637.

**SALES TAX**

Most Broda products are G.S.T. Zero Rated and Exempt from Canadian Provincial Sales Tax. Purchasers maybe required to check with their Provincial or State Tax Office for purchaser tax payment.